

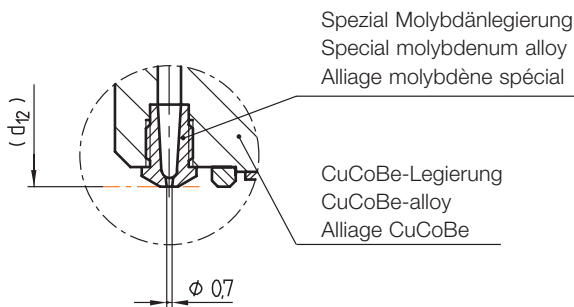
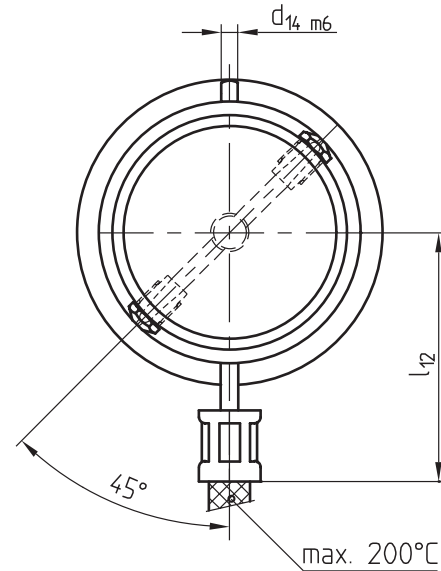
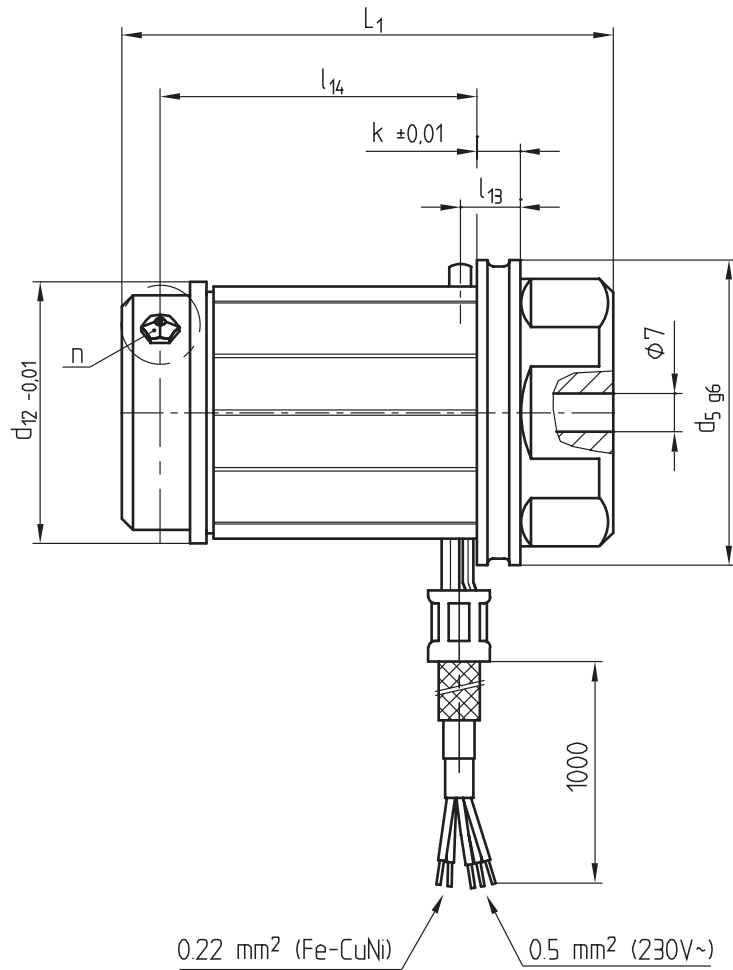
Z 10370/2/...

230 V~

⎯+ = Fe-CuNi
⎯- = Fe-CuNi



► Info



max. °C	Watt	d ₅	d ₁₄	k	l ₁₂	l ₁₃	l ₁₄	n	d ₁₂	L ₁	Nr./No.
280	630	45	3	5	46,5	7,5	47	2	36	75	Z10370/2/36x75
	700	50			50		52		40	80	40x80
	850	56	4	8	53	11	58		48	90	48x90

This is trial version
www.adultpdf.com